



## TOSA-LC 25Gbps 1310nm DFB

### Features:

- Low threshold current
- High bandwidth
- Operating temperature range TC = -5to +85°C

### Applications:

- 25Gigabit Ethernet
- 25G Fiber Channel

### Specifications:

#### Absolute Maximum Ratings:

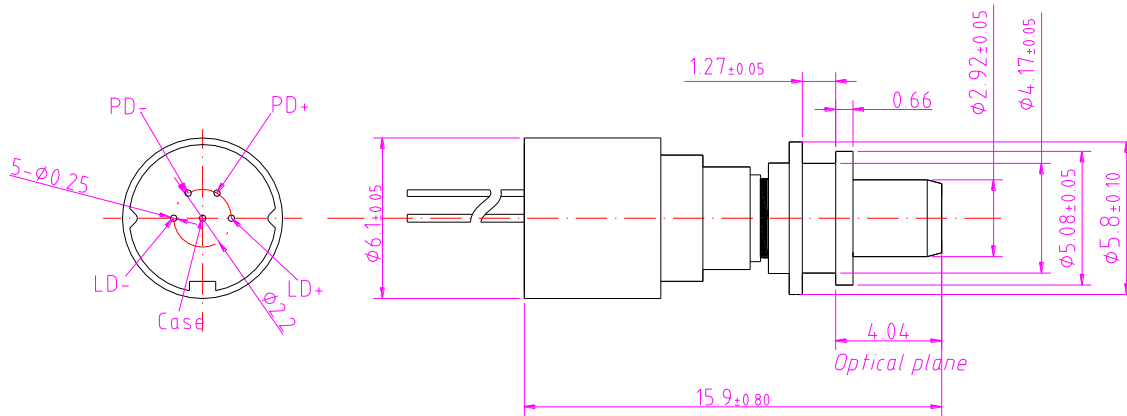
Parameter	Symbol	Min	Max.	Unit
LD Reverse Voltage	$V_{r(LD)}$	--	2	V
LD Forward Current	$I_{f(LD)}$	--	100	mA
MPD Forward Current	$I_{f(PD)}$	--	1	mA
MPD Reverse Voltage	$V_{r(PD)}$	--	6	V
Operating Temperature	$T_{op}$	-5	85	°C
Storage Temperature	$T_{stg}$	-40	100	°C
Lead Solder Temperature	--	--	260	°C
Lead Soldering Time	--	--	10	s

#### Electro-Optical Characteristics:

Parameter	Symbol	Test Condition	Min	Typ	Max	Unit
Threshold Current	I <sub>th</sub>	T <sub>C</sub> =25°C	--	12	--	mA
		T <sub>C</sub> =85°C	--	30	--	
Forward Voltage	V <sub>f</sub>	I <sub>op</sub> =I <sub>th</sub> +30mA	--	1.3	--	V
Monitor Current(MPD)	I <sub>m</sub>	I <sub>op</sub> =I <sub>th</sub> +30mA	100	--	1000	uA
Dark Current(MPD)	I <sub>d</sub>	V <sub>r</sub> =5V	--	--	100	nA
Optical Output Power	P <sub>o</sub>	I <sub>op</sub> =I <sub>th</sub> +30mA	0.72	--	1.11	mW
Slope efficiency	SE	I <sub>op</sub> =I <sub>th</sub> +30mA	0.024	--	0.037	mW/mA
Central Wavelength	λ <sub>c</sub>	I <sub>op</sub> =I <sub>th</sub> +30mA	1300	1310	1320	nm
Spectral Width , -20dB	Δλ	I <sub>op</sub> =I <sub>th</sub> +30mA	--	--	1	nm
Side-mode suppression Ratio	SMSR	I <sub>op</sub> =I <sub>th</sub> +30mA	30	--	--	dB
Rise/Fall Time	T <sub>r</sub> /t <sub>f</sub>	20-80%	--	20	--	ps
Tracking Error	TE	-5°C~85°C	-1.5	--	+1.5	dB
Optical Return Loss	ORL	--	--	--	35	dB



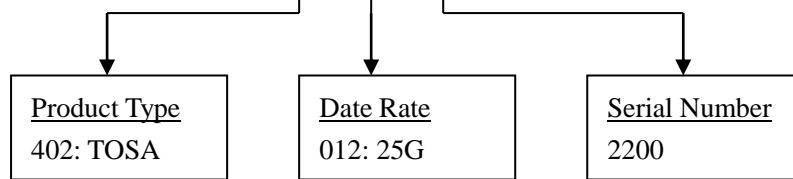
## Mechanical Dimension and Pin Assignment:



## Order Information:

SAN-U P/N:

**402 012 2200**



## Statement:

SAN-U owns the authority for final explanation of all information contained in this document, which is subject to change without notice. All the information was obtained in particular environments; and SAN-U will not be responsible for the performance of the customers' actual operating environments. All information contained is only for the users' reference and shall not be considered as warranted characteristics. SAN-U will not be liable for damages arising directly or indirectly which from any use of the information contained in this document.

## Contact Information:

Address: N501-505 Weiye Bldg., Xiamen Pioneering Park For Overseas Chinese Scholars, Xiamen, Fujian, China

Tel: +86-592-3898601, 3898608, 5318000

Fax: +86-592-5703588

Email: sales@san-u.com

<http://www.san-u.com>